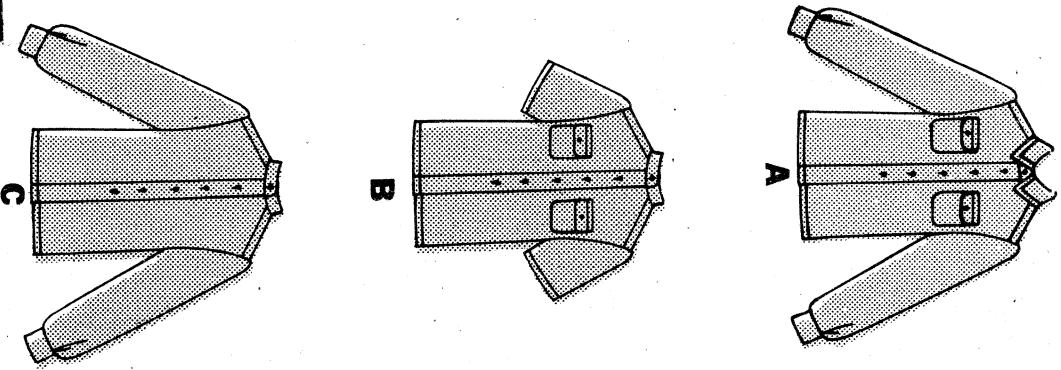


BUTTERICK 6137



LAY

- Find L
- For Fab
- WITH N

- Posit
- Single
- Double

* With CROS selvaq

Keep upper shading in the as she

* Open fabric

• If a "P" is show first cut out (allow showm), place o

CUT

- Posit

Grainlin Fabric, fold.

Place exactly on this

- Cut all

MISSES' SHIRT

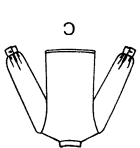
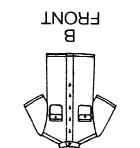
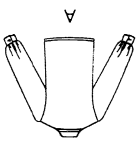
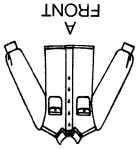
Loose-fitting shirt has collar band or collar and band cut-in-one, extended shoulders, forward shoulder seams, mock front band and short sleeves, or full length sleeves with buttoned cuffs rolled-up (wrong side of fabric will show). A & B: patch pockets with buttoned flaps. Narrow hem. Purchased belts. **NOTIONS:** 3/8" (10mm) Buttons; Ten for A and Eight for B or C. **FABRICS:** Soft or Crisp fabrics; Broadcloth, Chambray, Sheeting, Challis, Handkerchief Linen and Batiste. Obvious diagonals - unsuitable. One-way designs - use nap fabric and layout. Allow extra fabric to match plaids or stripes. * With nap, shading, pile or 1-way design. ** w/o nap, shading, pile or with 2-way design.

BODY MEASUREMENTS (Inches)

Bust	30 1/2	31 1/2	32 1/2	34	36	38
Waist	23	24	25	26 1/2	28	30
Hip	32 1/2	33 1/2	34 1/2	36	38	40
Bck. Vst. Lgth.	15 1/2	15 3/4	16	16 1/2	16 3/4	17
BUST	30	31	32	34	36	38
SIZE	6	8	10	12	14	16

BODY MEASUREMENTS (Metric)

SHIRT A	2 3/8	2 1/2	2 1/2	2 1/2	2 3/8	2 3/8
SHIRT B	2	2	2	2	2 1/8	2 1/8
SHIRT C	2 1/4	2 1/4	2 1/4	2 1/4	2 1/4	2 1/4
90cm **	1.90	1.90	1.90	1.90	1.90	1.90
115cm **	1.80	1.80	1.80	1.80	1.80	1.80
150cm **	1.40	1.40	1.40	1.40	1.40	1.40
SHIRT A	2.20	2.20	2.30	2.30	2.30	2.60
SHIRT B	1.90	1.90	1.90	1.90	1.90	2.00
SHIRT C	2.10	2.10	2.10	2.10	2.10	2.30
90cm **	1.80	1.80	1.80	1.80	1.80	1.90
115cm **	1.50	1.50	1.60	1.60	1.60	1.60
150cm **	1.10	1.10	1.10	1.10	1.10	1.10
INTERFACING A, B OR C	0.40	0.40	0.60	0.60	0.60	0.60
46,56cm Fusible	0.40	0.40	0.60	0.60	0.60	0.60
Width at lower edge	36 1/2	37 1/2	38 1/2	40	42	44
Finished back length from base of neck	23 1/2	23 3/4	24	24 1/4	24 1/2	24 3/4
Shirt A, B, C	59.5	60.5	61	61.5	62	63



AUST. \$3.95
N.Z. \$3.50
*Recommended price

\$3.00

6137